

# Packaging - Specification ECOBULK

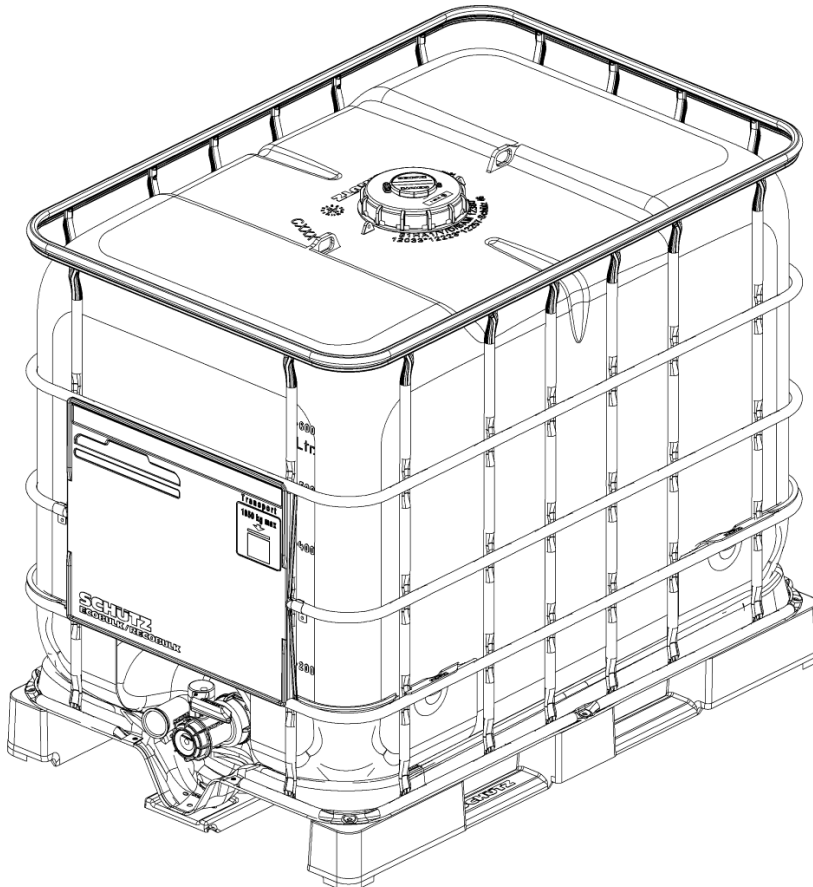
# SCHÜTZ

Transportcontainer ECOBULK 640 ltr.  
MX640 UN Nat/150R TP 2"Vent  
Bfly 50 00 Met 3PCS/Plast skid  
2-Plt SM:SM/TI

SCHÜTZ (UK) LIMITED  
Claylands Ave Dukeries Ind. Estate  
WORKSOP NOTTS S81 7BE  
UNITED KINGDOM

**Article-No.** 1323504

Date Aug 2, 2018  
Page 1 / 4



This picture is for illustration purpose only and does not necessarily correspond to the specified product.

## Weights and measures

Nominal Capacity	640 Liter
Brimful Capacity	680 Liter
Length	1,200 mm
Width	800 mm
Height with pallet	1,000 mm
Total weight approx	48.0 kg

## Pallet

Pallet type	Plastic-skidpallet
Opening height	min. 90mm, 4-way entry

## Outer container

Grid	Steel, galvanized
------	-------------------

# Packaging - Specification ECOBULK



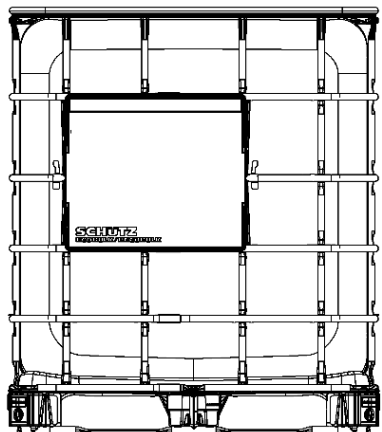
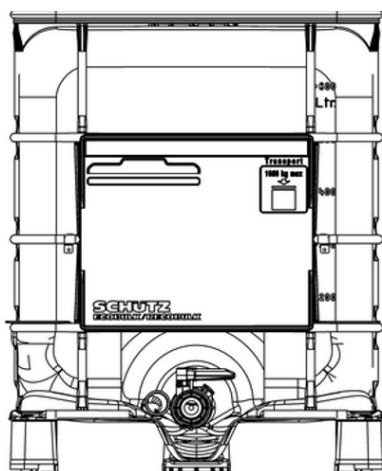
Transportcontainer ECOBULK 640 ltr.  
MX640 UN Nat/150R TP 2"Vent  
Bfly 50 00 Met 3PCS/Plast skid  
2-Plt SM:SM/TI

SCHÜTZ (UK) LIMITED  
Claylands Ave Dukeries Ind. Estate  
WORKSOP NOTTS S81 7BE  
UNITED KINGDOM

**Article-No.** 1323504

Date Aug 2, 2018  
Page 2 / 4

Bottom plate	Steel, galvanized
Corner protector	white
Label plate	640, with Schütz-Ticket
additional label plate	back side - standard



### Inner container

Rectangular blow molded tank of high density polyethylene  
Container PE-HD, natural

### Filling opening

Screw cap	DN150 / 6", PE-HD, red
O-ring gasket	TPE
Sealing-cap	red



# Packaging - Specification

## ECOBULK

# SCHÜTZ

Transportcontainer ECOBULK 640 ltr.  
MX640 UN Nat/150R TP 2"Vent  
Bfly 50 00 Met 3PCS/Plast skid  
2-Plt SM:SM/TI

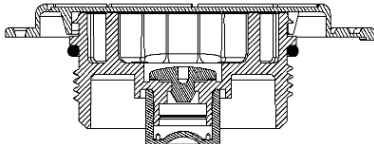
SCHÜTZ (UK) LIMITED  
Claylands Ave Dukeries Ind. Estate  
WORKSOP NOTTS S81 7BE  
UNITED KINGDOM

**Article-No.** 1323504

**Date** Aug 2, 2018  
**Page** 3 / 4

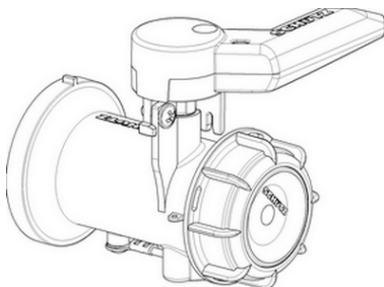
**Plug**

G2"plug w/vent (Silicone)



### Discharge opening

Outlet valve	integr.butterfly-valve DN50/2"
Case	PE-HD
Connection thread	metric
Flap gasket / Ball gasket	PP
Handle color	blue, Handle protection
Screw cap	PE-HD
Screw cap gasket	PE, foamed
Screw cap color	black
Outlet nozzle	PE-HD



### Features

#### UN-Marking

UN\_31HA1/Y/mm/yy/BAM0382-Schütz#/2739/1335/692l/48kg/100kPa

#### Heavy metals

Concentration level of heavy metals (Pb, Cd, Cr VI and Hg) in packaging does not exceed 100 ppm

#### Delivery

Ready for filling. The customer or filler is responsible for testing the material compability of the filling material with the packaging

#### User information:

By implementing and continually improving extensive preventive programmes, SCHÜTZ strives towards minimising the potential contamination risk for filling material in line with the current state of the art and in accordance with recognised and applicable quality and system standards. In industrial manufacturing, however, the possibility of particles arising cannot be fundamentally and entirely eliminated. Specifically for plastic and steel packaging, unavoidable friction during opening and closing as well as static charging of the packaging contribute to the development of particles and/or the possibility of particles being attracted. Such particles can then also invariably penetrate the packaging interior. With the goal of minimising the risk of particle formation and transmission into packaging, users are recommended – particularly during further processing – to keep packaging closed wherever possible and to keep the number of opening and closing procedures as low as possible. In the case of sensitive filling materials or filling material applications (e.g. for food/pharmaceutical products, paint or electro-chemicals), it is also recommended that the filling material is filtered on removal or prior to further processing.

Packaging - Specification  
ECOBULK



Transportcontainer ECOBULK 640 ltr.  
MX640 UN Nat/150R TP 2"Vent  
Bfly 50 00 Met 3PCS/Plast skid  
2-Plt SM:SM/TI

SCHÜTZ (UK) LIMITED  
Claylands Ave Dukeries Ind. Estate  
WORKSOP NOTTS S81 7BE  
UNITED KINGDOM

**Article-No.**                    **1323504**

Date                    Aug 2, 2018  
Page 4 / 4

SCHÜTZ reserves the right to change the construction, technology, design and material of the product or individual components without notice. The dimensions and weights given here are approximate and can vary according to the configuration of the individual components. For other product details and operating information concerning the correct handling of our packaging, please consult our Handling Guide.